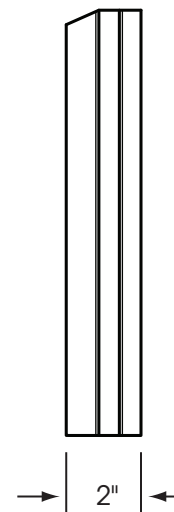
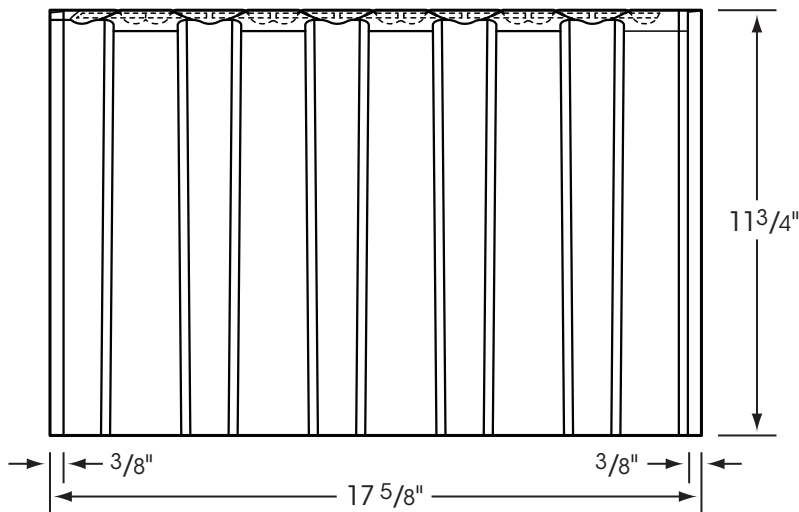
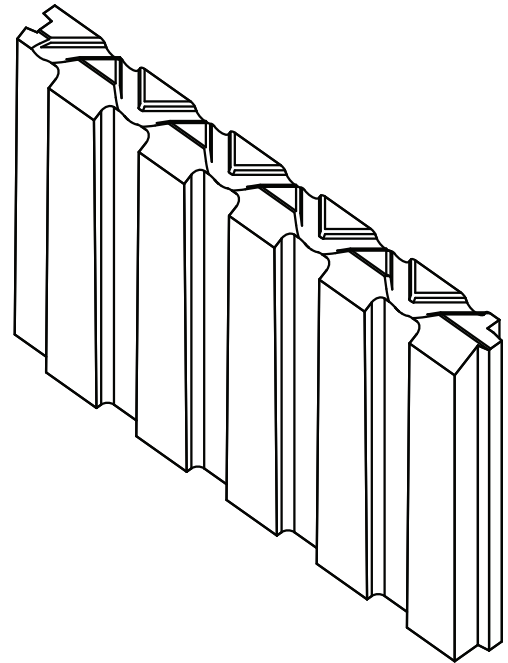
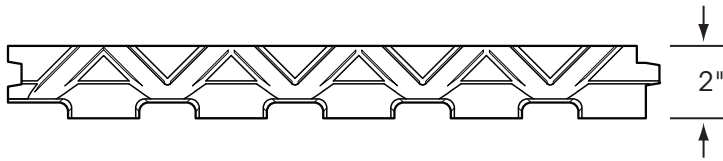


VENTLOC®

INTERLOCKING LIGHTWEIGHT ROOF BALLAST



U.S. PATENT 5,887,397 AND OTHER PATENTS PENDING

Please Note: Sizes shown are nominal. Products are made to fit metric modules.

HANOVER®
Architectural Products
5000 Hanover Road, Hanover, PA 17331
717-637.0500 fax 717-637.7145
www.hanoverpavers.com