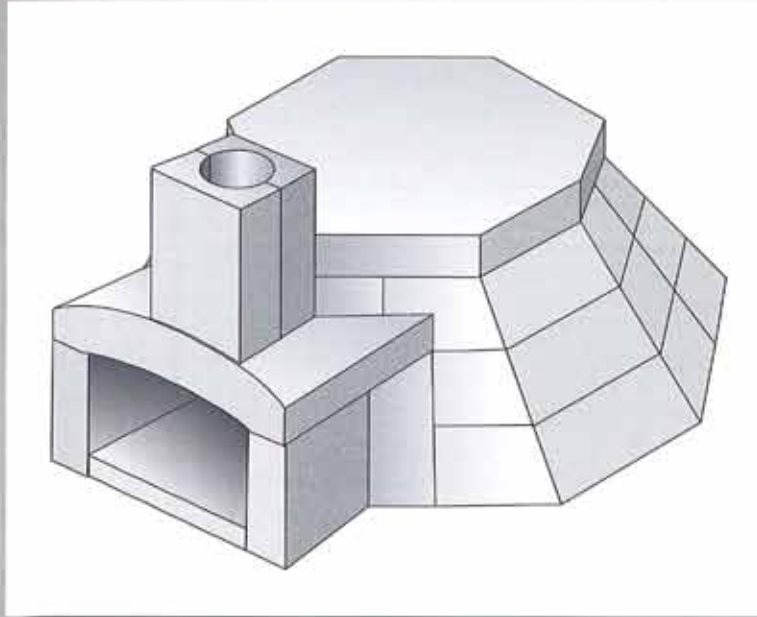


FireRock

www.firerock.us



FIRE ROCK WOOD FIRED OUTDOOR OVEN

Octagonal Oven Chamber with Domed Cap

48" Outside Diameter at Base

30" Outside Diameter at Cap

40" Inside Diameter at Base

24" Tall at Cap

32" Tall at Top of Chimney

10" Access Tunnel

16" Tall Chimney

1200 lbs.

19 Total Masonry Components

Arched Door

Stainless Steel with Vent

17" Wide

11½" Tall at Center

This oven is cast from Fire Rock's proprietary insulating mix and includes a clay brick oven floor already laid into a cast base. It is designed to be erected on a concrete block base that continues up past the oven base creating a cavity to be filled with gravel for additional insulation.

PRECISION-ENGINEERED



MASONRY PRODUCTS

FireRock



3620 Avenue C, Birmingham, AL 35064
Phone: 205.639.5000 • 1.888.876.1025 • Fax: 205.639.5015 • info@firerock.us