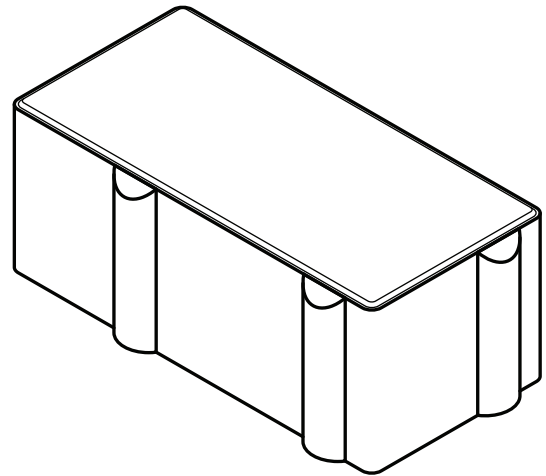
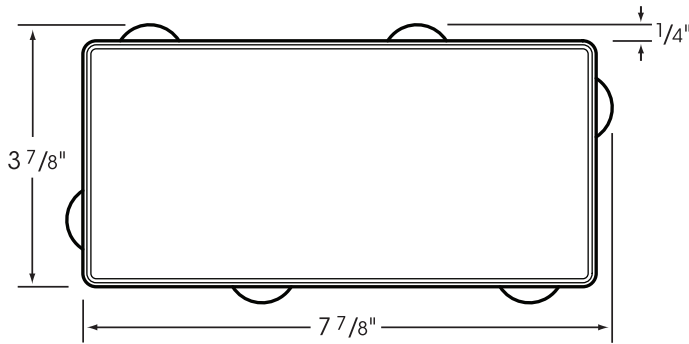


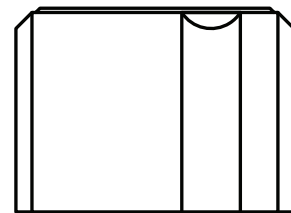
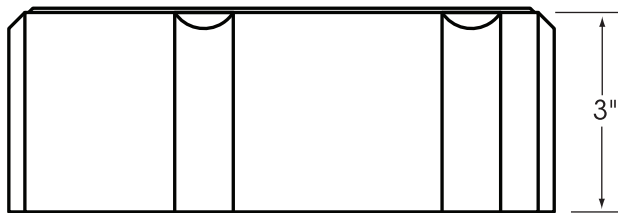
PERMEABLE PAVING UNIT

Permeable 4" x 8"




3 7/8" x 7 7/8" x 3"

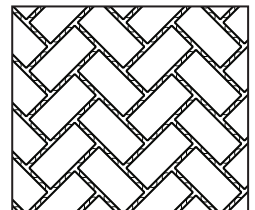


6.4% OPEN AREA PER UNIT

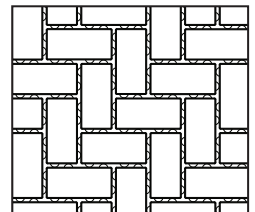


PEDESTRIAN VS. VEHICULAR USAGE COMPARISON

		 PEDESTRIAN USE	 LIGHT VEHICULAR USE	 MODERATE VEHICULAR USE
		use by persons on foot and any mobility impaired persons using a wheelchair	pedestrian use & low speed, low volume residential and light commercial vehicular use	pedestrian use & low speed, moderate volume residential and moderate commercial vehicular use
HANOVER® PRODUCT		MINIMUM THICKNESS	MINIMUM THICKNESS	MINIMUM THICKNESS
PERMEABLE PAVING UNITS	Aqua-Loc®	3"	3"	3"
	EcoGrid®	4"	4"	NO MODERATE VEHICULAR USE
	PERMEABLE 4" X 8"	3"	3"	3"
	Permeable 4 1/2" x 9"	3"	3"	3"
	Permeable 4 1/2" x 9" Scored	3"	3"	3"
	Permeable 3 1/4" x 18"	4"	NO LIGHT VEHICULAR USE	NO MODERATE VEHICULAR USE
	Permeable 12" x 18"	3"	NO LIGHT VEHICULAR USE	NO MODERATE VEHICULAR USE



45° Herringbone



90° Herringbone

Please Note: Sizes shown are nominal. Products are made to fit metric modules. Overall dimensions include one spacer.

HANOVER®

Architectural Products

5000 Hanover Road, Hanover, PA 17331

717.637.0500 fax 717.637.7145

www.hanoverpavers.com