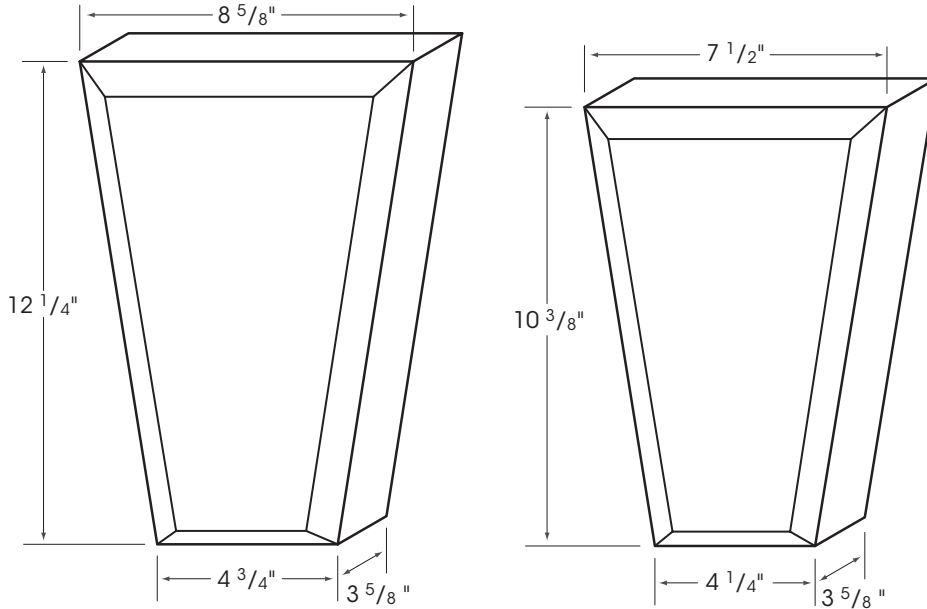


Hanover[®] Keystone



Size	Pcs/Cube	Cubes/Truck	Lbs/Cube
10 3/8"(h) x 3 5/8"(d)	144	17 cubes/2448 pcs.	2700
12 1/4" (h) x 3 5/8"(d)	120	15 cubes/1800 pcs.	3040

Stocked Colors: Glacier White
 Matrix #M1983 (beige tone color)

Textures: Beveled Tudor[®] Finish
 Square Edge Ground Finish

Hanover[®] Keystones are an important design detail. The keystones are manufactured so that either side can be used as the front surface. One side has a large bevel with a fine texture. The other side has a square edge, with no bevel and a smooth ground finish. Hanover[®] Keystones are manufactured in two heights, 10 3/8" and 12 1/4", and two colors, Matrix #M1983 (beige tone color) and Glacier White. Hanover[®] Keystones can be custom ordered in a variety of colors when quantities permit. Call your Hanover[®] Representative for product information and installation procedures.