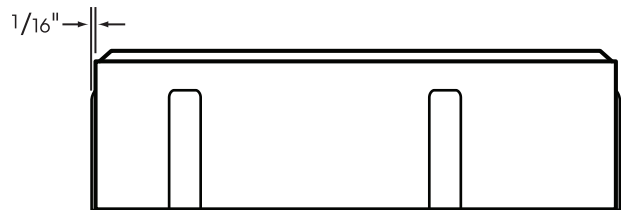
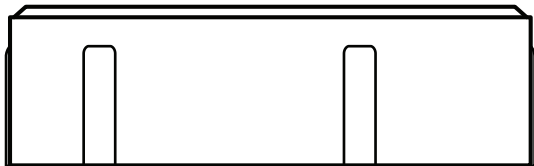
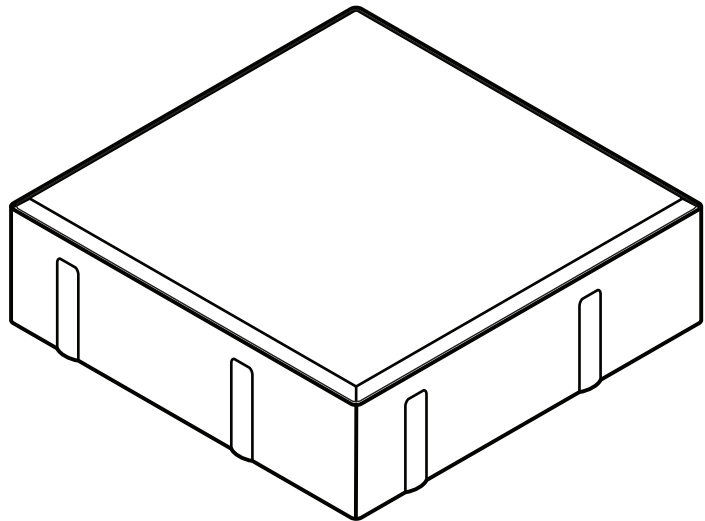
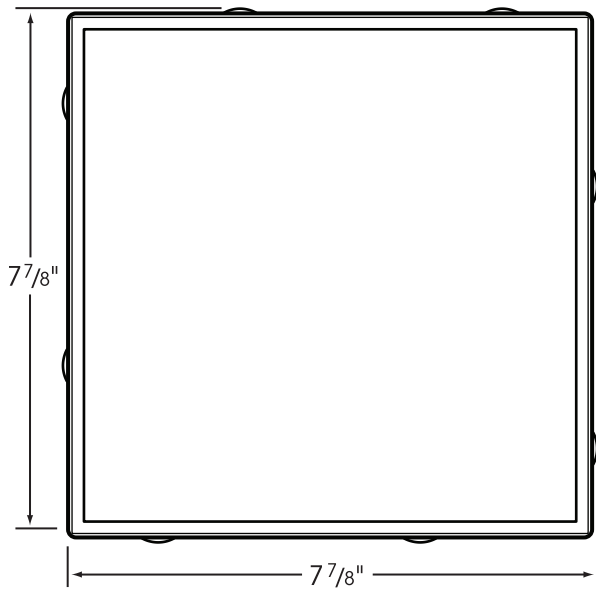


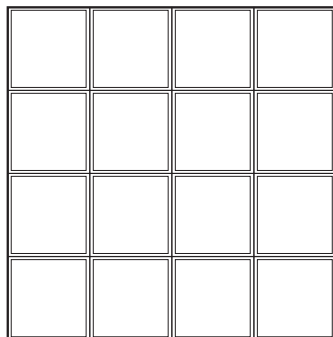
TRADITIONAL[®] PREST[®] BRICK

Nominal 8" x 8"

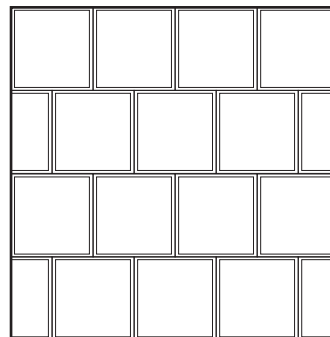
7 7/8" x 7 7/8" x 2 3/8"



Please Note: 8" x 8" shown with 2 3/8" thickness. A 3" thickness is also available.
Sizes shown are nominal. Products are made to fit metric modules.
Overall dimensions include one spacer. The 8" x 8" size is not recommended for commercial vehicular use.



Stacked Bond



Running Bond

HANOVER[®]

Architectural Products

5000 Hanover Road, Hanover, PA 17331

717.637.0500 fax 717.637.7145

www.hanoverpavers.com