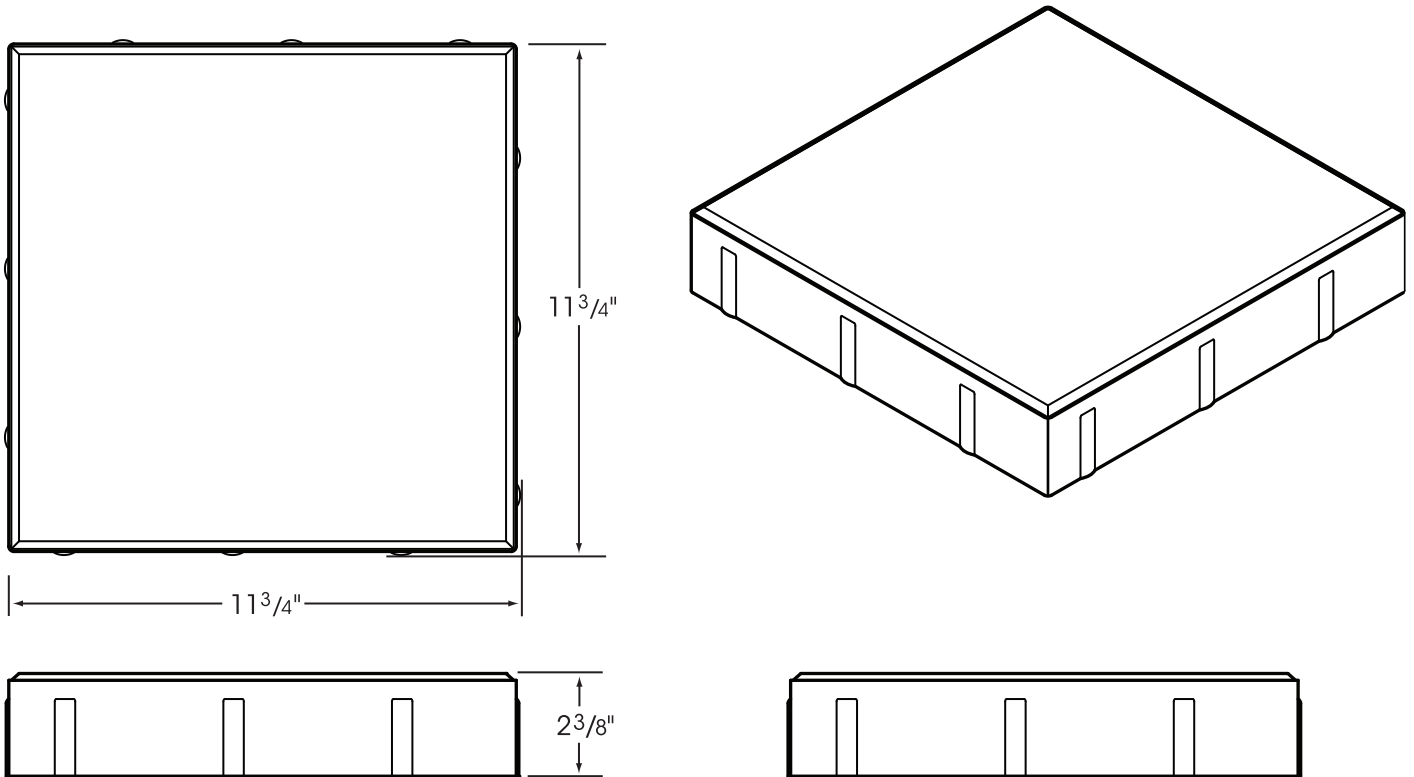


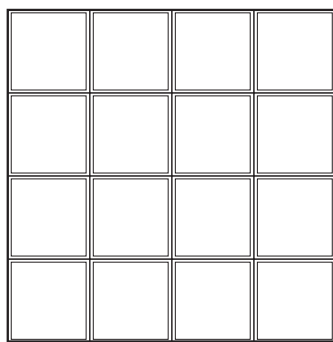
# TRADITIONAL® PREST® BRICK

## Nominal 12" x 12"

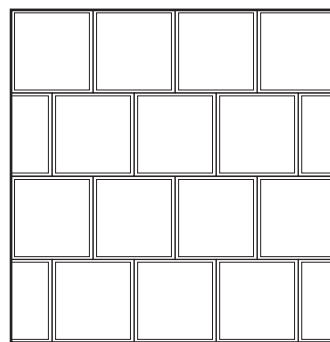
11 3/4" x 11 3/4" x 2 3/8"



Please Note: Sizes shown are nominal. Products are made to fit metric modules.  
 Overall dimensions include one spacer. The 12" x 12" size is not recommended for commercial vehicular use.



Stacked Bond



Running Bond

**HANOVER®**  
**Architectural Products**  
 5000 Hanover Road, Hanover, PA 17331  
 717.637.0500 fax 717.637.7145  
[www.hanoverpavers.com](http://www.hanoverpavers.com)