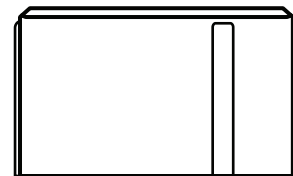
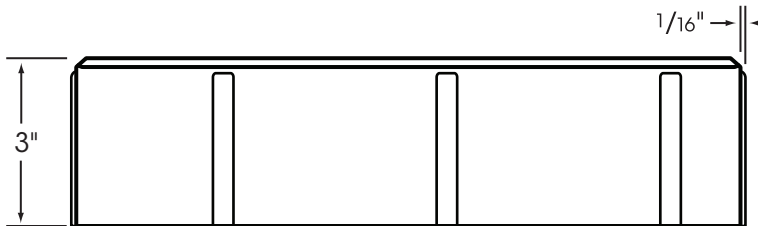
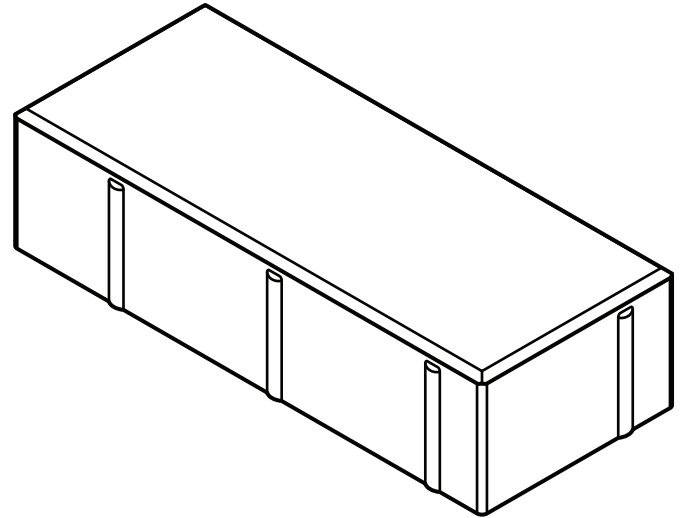
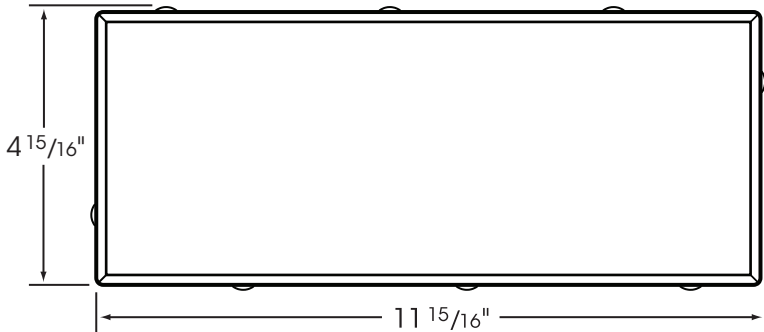


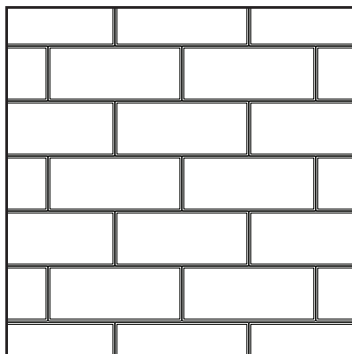
# TRADITIONAL<sup>®</sup> PREST<sup>®</sup> BRICK

## Nominal 5" x 12"

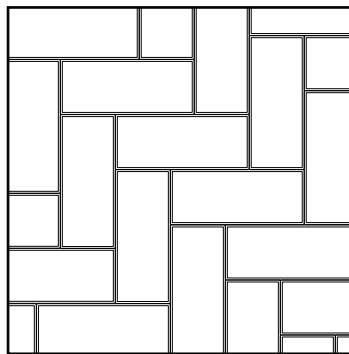
4 15/16" x 11 15/16" x 3"



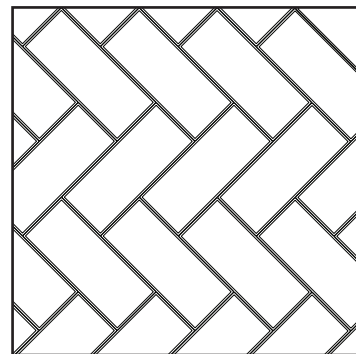
Please Note:  
 Sizes shown are nominal. Products are made to fit metric modules.  
 Overall dimensions include one spacer.



Running Bond\*



90° Herringbone



45° Herringbone

\*The Running Bond installation design is suggested for pedestrian use only.

**HANOVER<sup>®</sup>**  
 Architectural Products  
 5000 Hanover Road, Hanover, PA 17331  
 717.637.0500 fax 717.637.7145  
 www.hanoverpavers.com