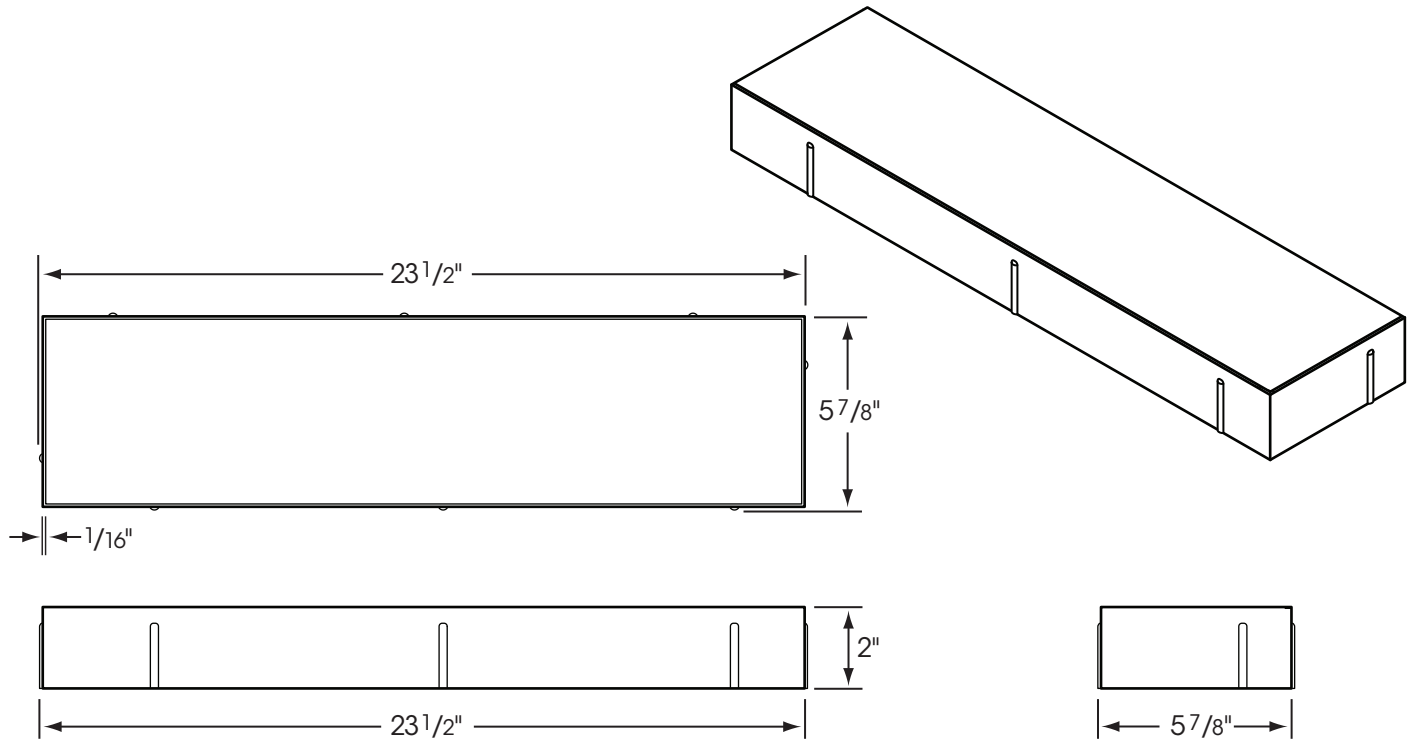


HANOVER® PREST® PAVER

PlankStone® Paver

5 7/8" x 23 1/2" x 2"

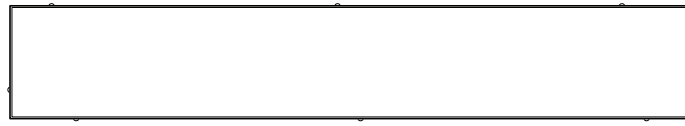


Manufactured with a standard 3/16" bevel. A 1/16" bevel or square edge option is also available upon request.

PlankStone® Pavers are also available in 17 5/8" and 35 3/8" lengths. Sizes are packaged separately. Thicknesses range from 2" - 4". Several finishes are available.



5 7/8" x 17 5/8"



5 7/8" x 35 3/8"

A variety of dimensionally compatible Prest® Paver sizes are available for installation with PlankStone® Pavers.

- 11 3/4" x 11 3/4"
- 11 3/4" x 17 5/8"
- 11 3/4" x 23 1/2"
- 17 5/8" x 17 5/8"
- 17 5/8" x 23 1/2"
- 17 5/8" x 35 3/8"
- 23 1/2" x 23 1/2"
- 23 1/2" x 35 3/8"
- 23 1/2" x 47 1/8"

Please Note: Sizes shown are nominal.
Products are made to fit metric modules.


Architectural Products
 5000 Hanover Road, Hanover, PA 17331
 717.637.0500 fax 717.637.7145
www.hanoverpavers.com