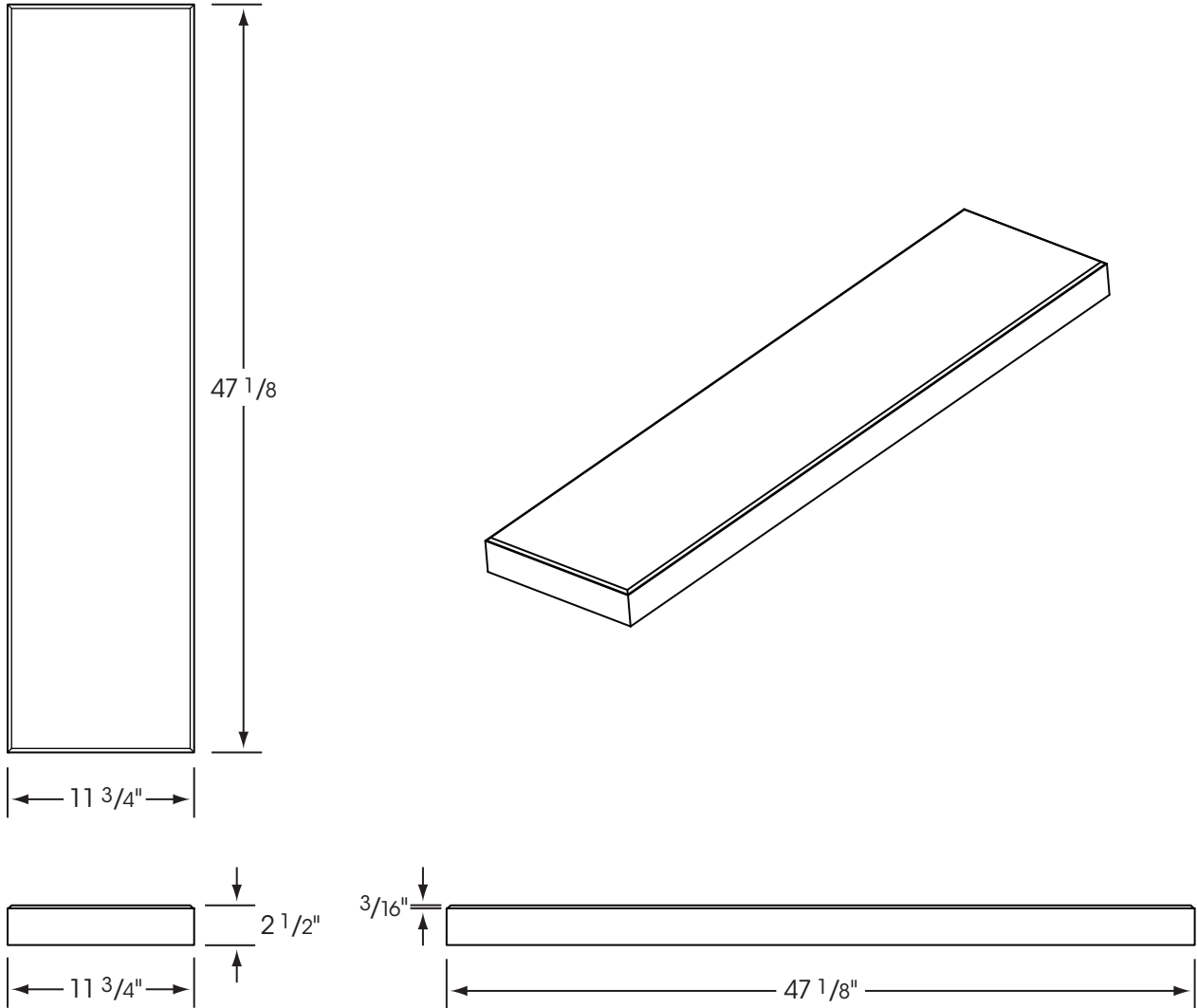


HANOVER® PREST® PAVER

Nominal 12" x 48"

11³/₄" x 47¹/₈" x 2¹/₂"



Thicknesses ranging from 2½" - 3" are also available. A variety of dimensionally compatible sizes are available for installation with the 12" x 48" Paver. Contact Hanover® for a list of sizes.

Pavers are manufactured with a standard 3/16" bevel. A square edge option is also available upon request.

Please Note: Sizes shown are nominal. Products are made to fit metric modules.
Pavers should be laid maintaining a minimum 1/8" joint.

HANOVER®
Architectural Products
 5000 Hanover Road, Hanover, PA 17331
 717-637.0500 fax 717-637.7145
www.hanoverpavers.com