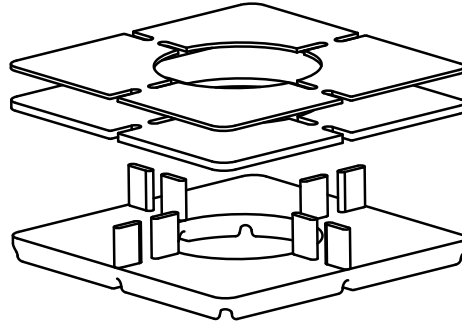
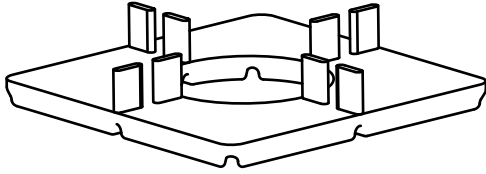
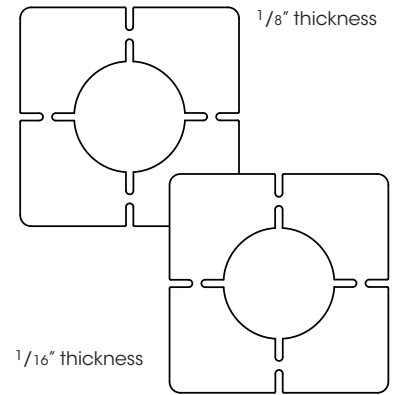


Hanover® 5" Rubber Pedestal and Leveling Shims

Hanover® Rubber Pedestal
patent pending



Rubber Leveling Shims



5" Rubber Pedestal

Hanover's Rubber Pedestal is a flexible paver support pedestal, allowing the pavers to follow the contour of the roof. The Rubber Pedestal is suitable for both Architectural and Ballast applications where water drainage is required. When used in ballast applications, roof membranes are protected from the pavers. Sized at 5" square with a $\frac{3}{8}$ " height, Hanover's fixed height pedestal incorporates $\frac{1}{8}$ " spacer tabs and leveling shims to make installation easy. The Rubber provides sound deadening qualities, is resistant to the ozone and severe weather conditions and creates a soft feel for walking. This pedestal is not stackable and must be considered only for low elevation support requirements.

- $\frac{3}{8}$ " fixed height pedestal
- Flexible base
- Provides sound deadening qualities

Rubber Leveling Shims

Final adjustments can be made with Hanover's Rubber Leveling Shims. These shims prevent paver movement and provide a more solid feel. Thicknesses are available in $\frac{1}{8}$ " or $\frac{1}{16}$ ".

- $\frac{1}{8}$ " or $\frac{1}{16}$ " thickness
- Prevents paver movement
- Provides a more solid feel

HANOVER®
Architectural Products
5000 Hanover Road, Hanover, PA 17331
717.637.0500 fax 717.637.7145
www.hanoverpavers.com