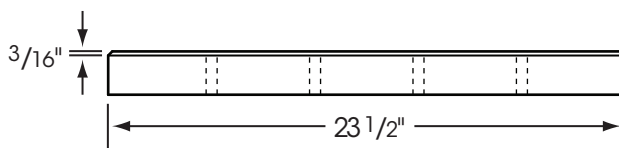
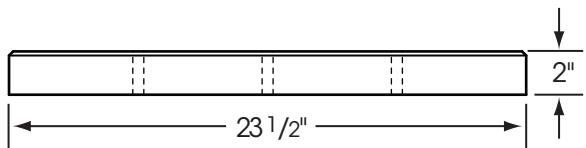
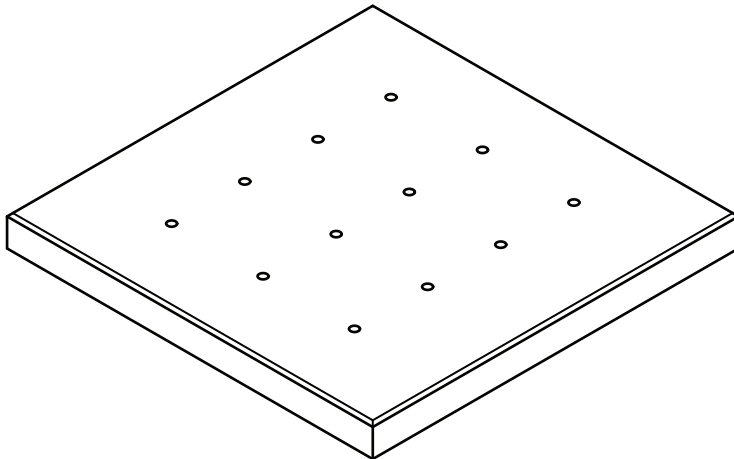
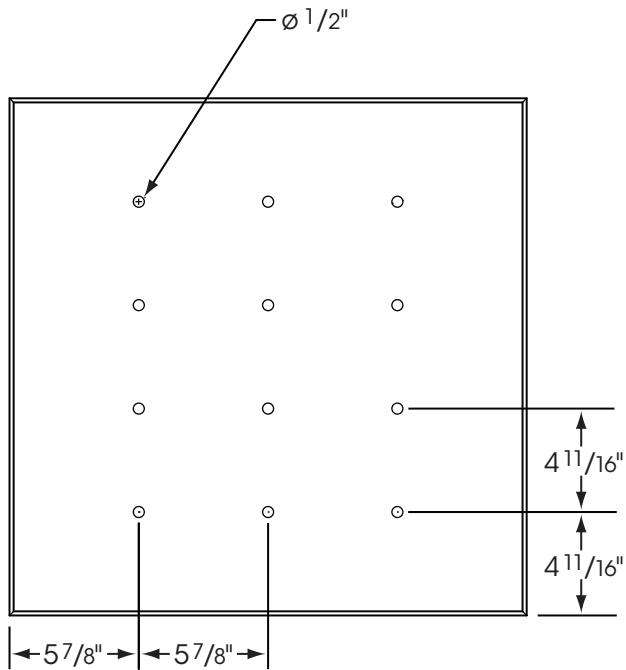


# HANOVER® DRAINAGE PAVER

23<sup>1</sup>/<sub>2</sub>" x 23<sup>1</sup>/<sub>2</sub>" Paver with holes



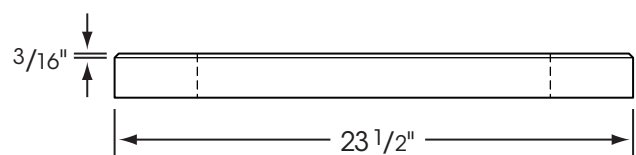
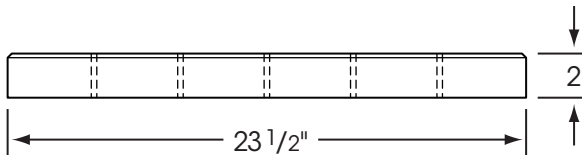
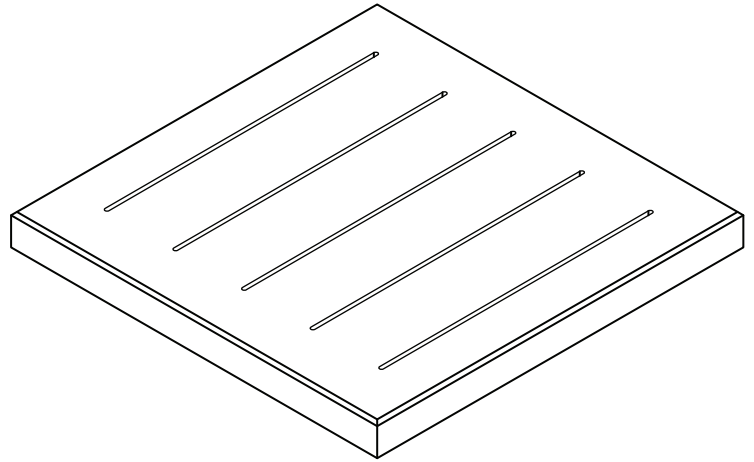
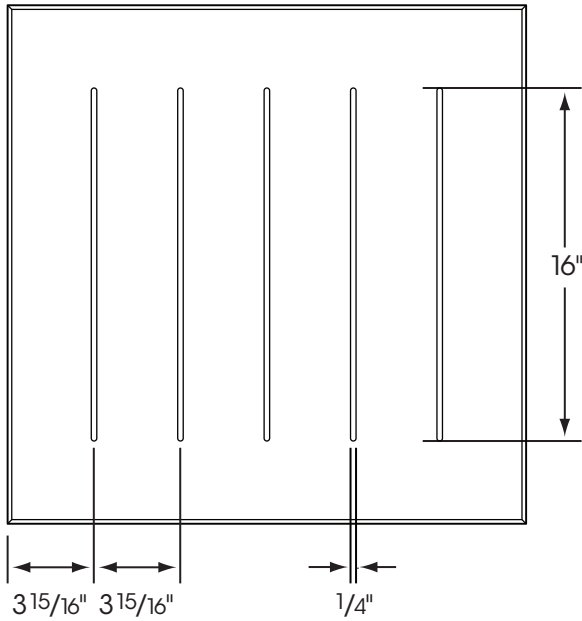
Caution: Not recommended for use on pedestal set applications that encounter heavy foot traffic (doorways, elevator or escalator entrances/exits, etc.).

Please Note: Sizes shown are nominal.  
Products are made to fit metric modules.

**HANOVER®**  
Architectural Products  
5000 Hanover Road, Hanover, PA 17331  
717.637.0500 fax 717.637.7145  
www.hanoverpavers.com

# HANOVER® DRAINAGE PAVER

23<sup>1</sup>/<sub>2</sub>" x 23<sup>1</sup>/<sub>2</sub>" Paver with slots



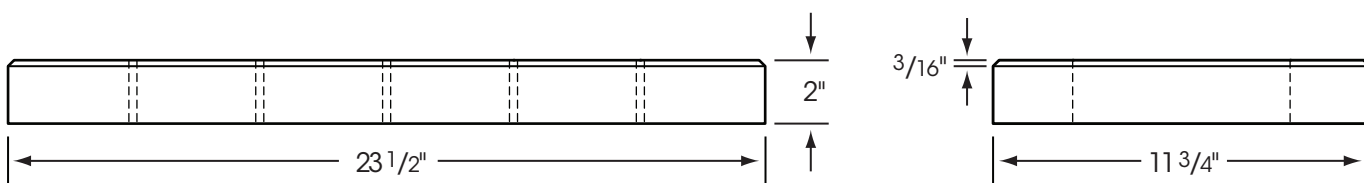
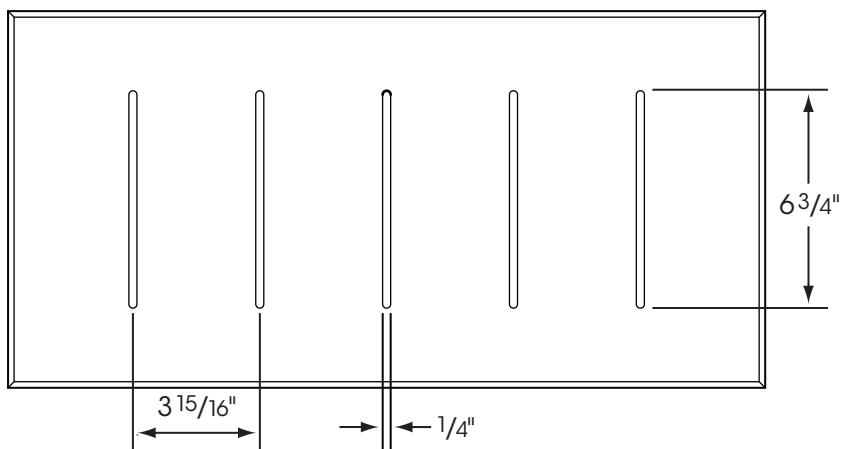
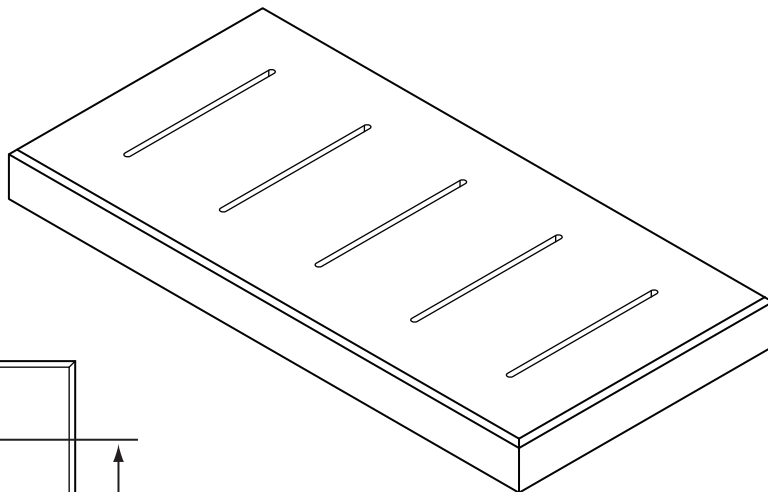
Caution: Not recommended for use on pedestal set applications that encounter heavy foot traffic (doorways, elevator or escalator entrances/exits, etc.).

Please Note: Sizes shown are nominal.  
Products are made to fit metric modules.

**HANOVER®**  
Architectural Products  
5000 Hanover Road, Hanover, PA 17331  
717.637.0500 fax 717.637.7145  
www.hanoverpavers.com

# HANOVER® DRAINAGE PAVER

11<sup>3</sup>/<sub>4</sub>" x 23<sup>1</sup>/<sub>2</sub>" Paver with slots



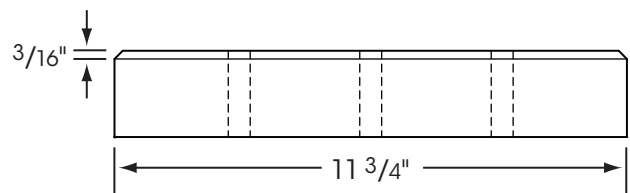
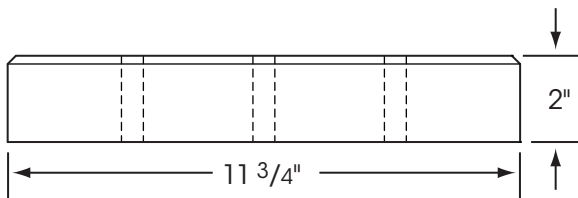
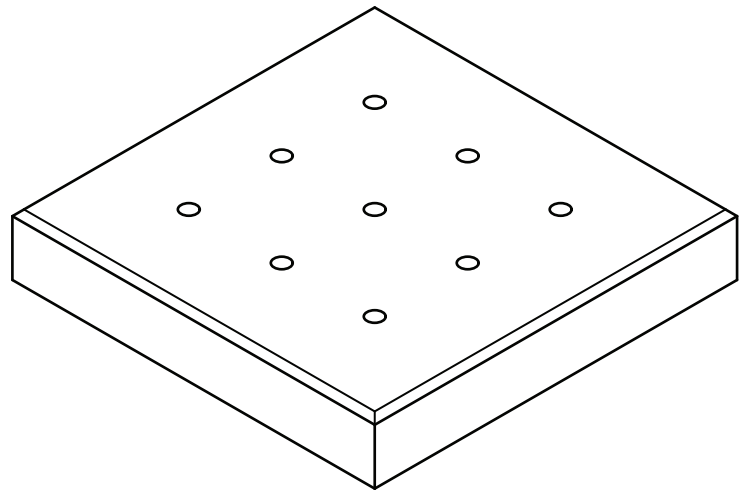
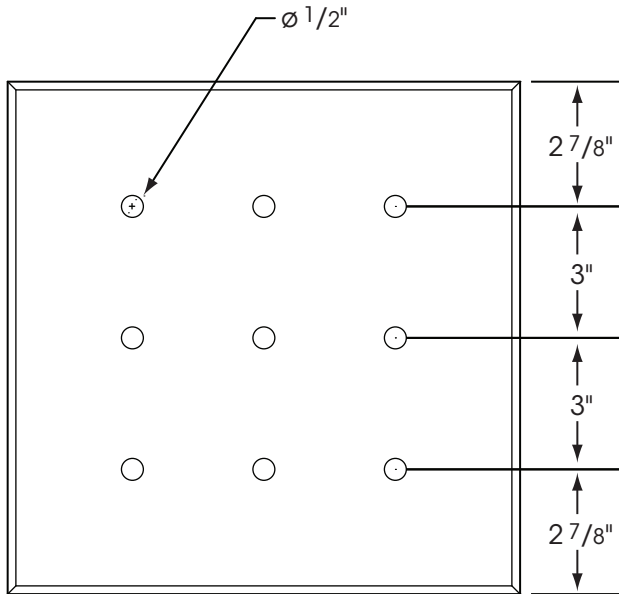
Caution: Not recommended for use on pedestal set applications that encounter heavy foot traffic (doorways, elevator or escalator entrances/exits, etc.).

Please Note: Sizes shown are nominal.  
Products are made to fit metric modules.

**HANOVER®**  
Architectural Products  
5000 Hanover Road, Hanover, PA 17331  
717-637.0500 fax 717-637.7145  
www.hanoverpavers.com

# HANOVER® DRAINAGE PAVER

11<sup>3</sup>/<sub>4</sub>" x 11<sup>3</sup>/<sub>4</sub>" Paver with holes



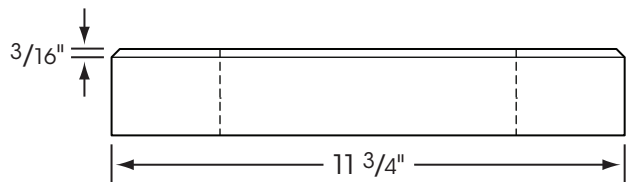
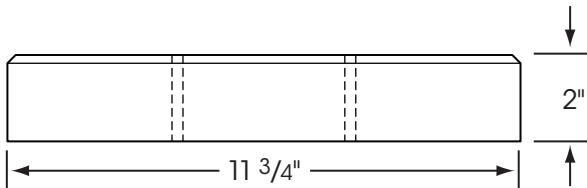
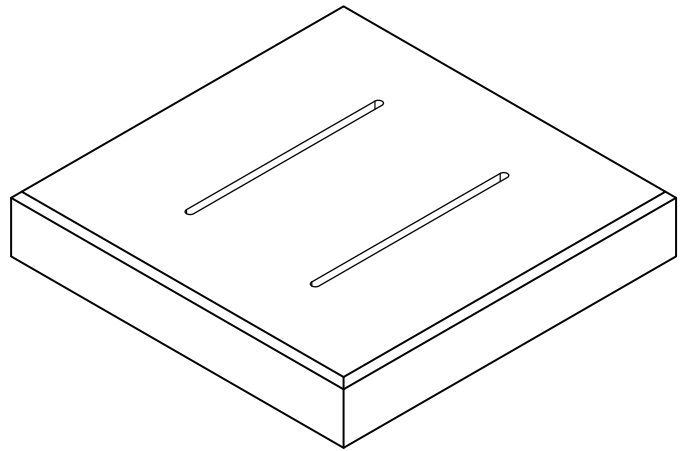
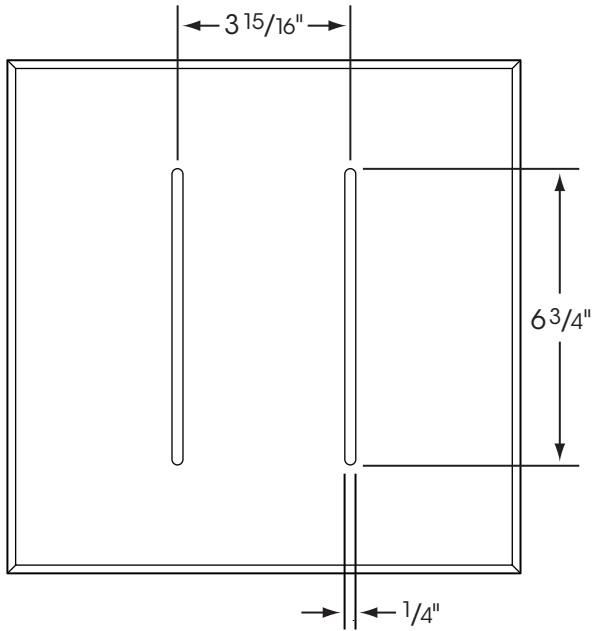
Caution: Not recommended for use on pedestal set applications that encounter heavy foot traffic (doorways, elevator or escalator entrances/exits, etc.).

Please Note: Sizes shown are nominal.  
Products are made to fit metric modules.

**HANOVER®**  
Architectural Products  
5000 Hanover Road, Hanover, PA 17331  
717-637.0500 fax 717-637.7145  
www.hanoverpavers.com

# HANOVER® DRAINAGE PAVER

11<sup>3</sup>/<sub>4</sub>" x 11<sup>3</sup>/<sub>4</sub>" Paver with slots



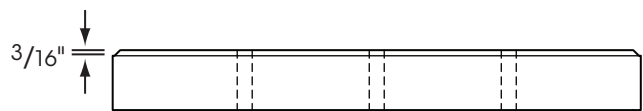
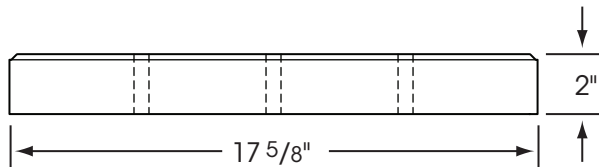
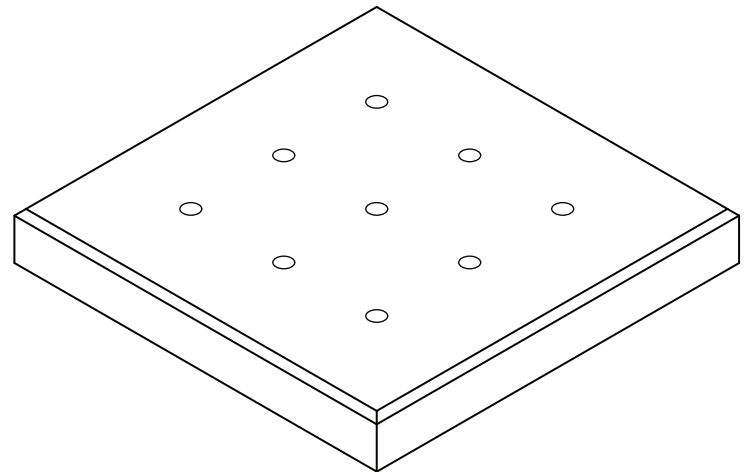
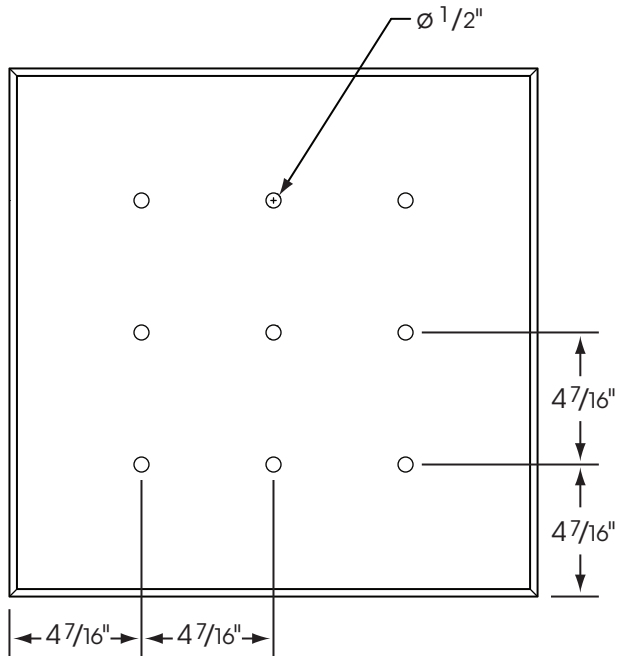
Caution: Not recommended for use on pedestal set applications that encounter heavy foot traffic (doorways, elevator or escalator entrances/exits, etc.).

Please Note: Sizes shown are nominal.  
Products are made to fit metric modules.

**HANOVER®**  
Architectural Products  
5000 Hanover Road, Hanover, PA 17331  
717.637.0500 fax 717.637.7145  
[www.hanoverpavers.com](http://www.hanoverpavers.com)

# HANOVER® DRAINAGE PAVER

17 5/8" x 17 5/8" Paver with holes



Caution: Not recommended for use on pedestal set applications that encounter heavy foot traffic (doorways, elevator or escalator entrances/exits, etc.).

Please Note: Sizes shown are nominal.  
Products are made to fit metric modules.

**HANOVER®**  
Architectural Products  
5000 Hanover Road, Hanover, PA 17331  
717-637.0500 fax 717-637.7145  
www.hanoverpavers.com